

GG5-GH5 Inset Glass Hinge

Features

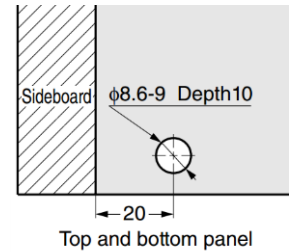
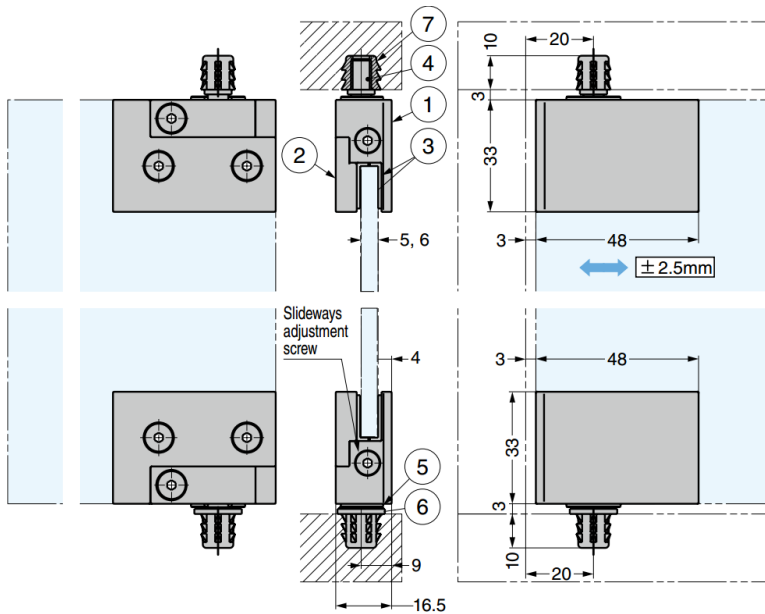
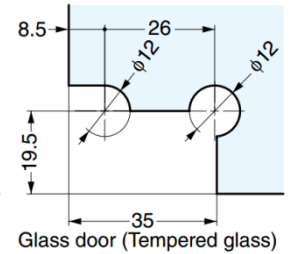
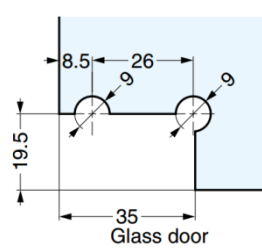
- For inset glass doors
- Can be used together with glass bracket **GG5-GB5** and glass door lock **GG5-GL5** for a total showcase solution
- Temporary holding feature allows the door to be installed easily by one person
- Sideways adjustment (± 2.5 mm) possible after installation of the door

Notes

- Please refer to glass weight as the main reference when installing glass door
- Please use different gasket supplied with item for 5 mm thickness glass door
- Film for glass door is recommended for safe usage
- Please prepare a door stop separately

Parts Included

- Gaskets
- Spanner hex 2.5



No.	Part Name	Material	Finish/Colour		
			CR	GP	BL
①	Body	Zinc Alloy (ZDC)	Chrome	Gold (24K) Plated	Black
②	Cover Plate				
③	Gasket	Chloroprene Rubber (CR)	Black		
④	Axis	Stainless Steel	Plain		
⑤	Plastic Washer	Polyamide (PA)	Black		
⑥	Metal Plate	Stainless Steel (SUS304)	Plain		
⑦	Insert	Zinc Alloy (ZDC)	-		

Sold in set (2 pcs)

Part No.	Finish / Colour	Door Width	Door Height	Glass Thickness	Door Weight	
GG5-GH5-CR	Chrome	Max. 450	Max. 600	5, 6	49 N	5 kg
GG5-GH5-GP	Gold (24K) Plated					
GG5-GH5-BL	Black					

GG5-GB5 Glass Bracket

Features

- For use with glass hinge **GG5-GH5** in case of glass top cabinet
- Can be used together with glass hinge **GG5-GH5** and lock **GG5-GL5** for a total showcase solution

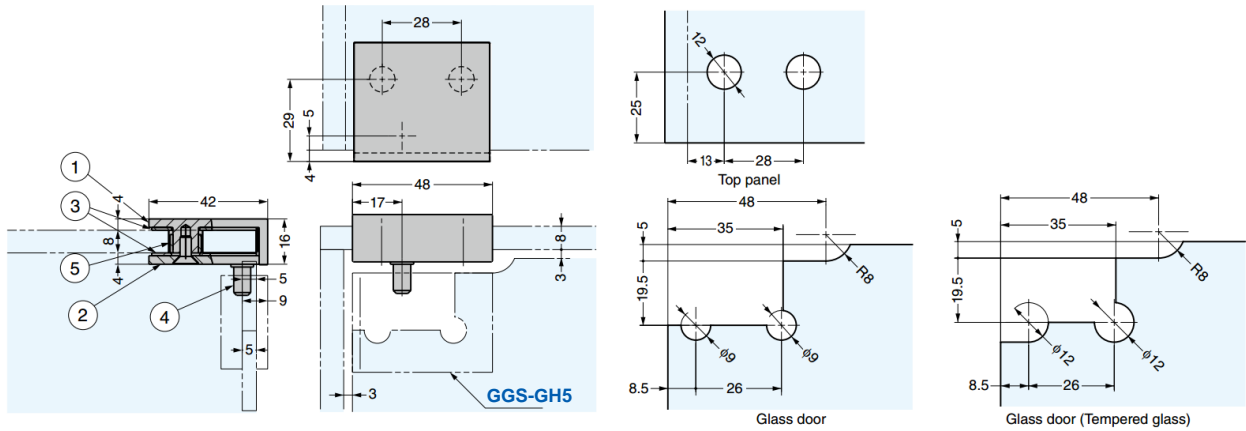
Notes

- Film for glass door is recommended for safe usage
- Please prepare a door stop separately



GG5-GB5-L-CR

GG5-GB5-R-GP



Drawing shows left side installation

No.	Part Name	Material	Finish/Colour		
			CR	GP	BL
①	Body	Zinc Alloy (ZDC)	Chrome	Gold (24K) Plated	Black
②	Plate	Stainless Steel (SUS430)			
③	Washer	Chloroprene Rubber (CR)	Black		
④	Axis	Stainless Steel	Plain		
⑤	Tube	Polyvinyl Chloride (PVC)	Clear		

Part No.	Type	Finish	Glass Thickness
GG5-GB5-R-CR	Right Side	Chrome	8
GG5-GB5-L-CR	Left Side		
GG5-GB5-R-GP	Right Side	Gold (24K) Plated	
GG5-GB5-L-GP	Left Side		
GG5-GB5-R-BL	Right Side	Black	
GG5-GB5-L-BL	Left Side		

Showcases that shine

Sleek and brilliant designs

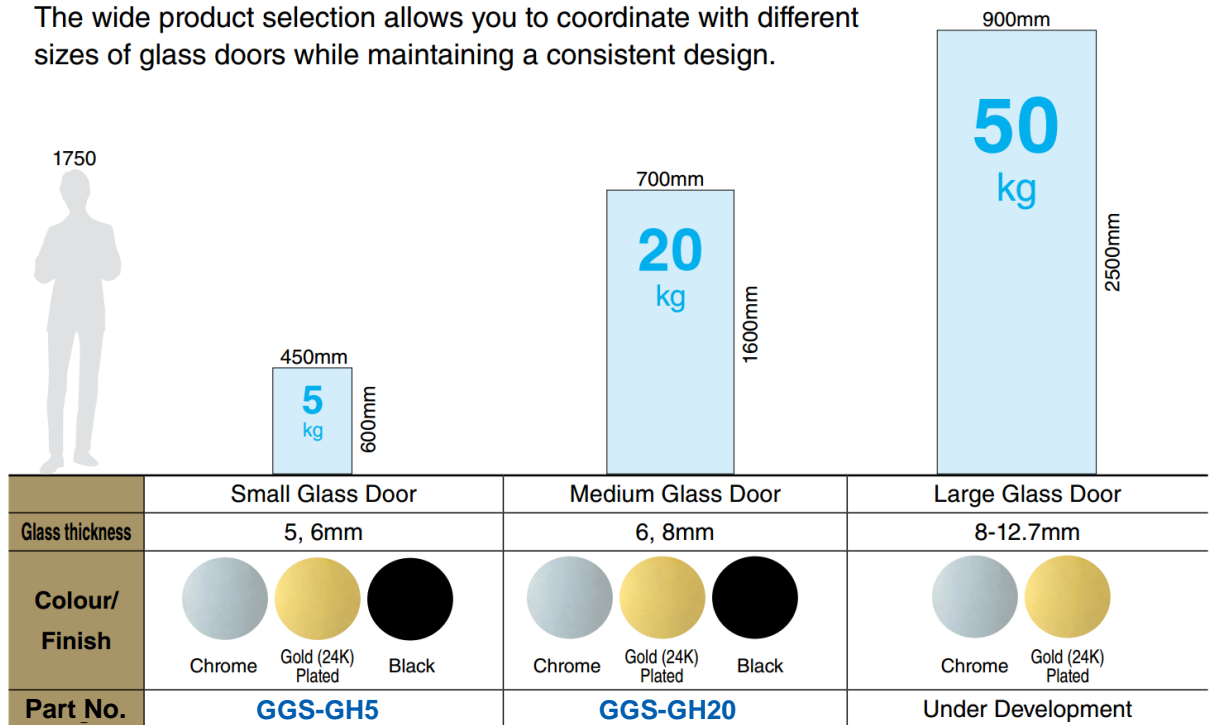
There is no protrusion on the smooth polished body, visually equalizing the level of the body and glass.

The chamfered edge creates a sophisticated showcase ambience.

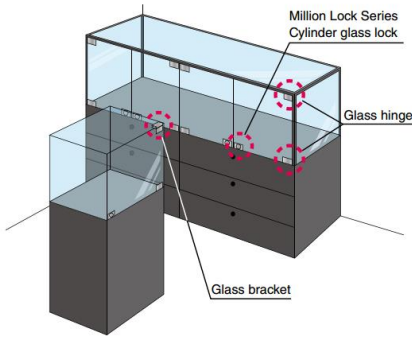


Available for Various Glass Door Sizes

The wide product selection allows you to coordinate with different sizes of glass doors while maintaining a consistent design.



Total Design Coordination

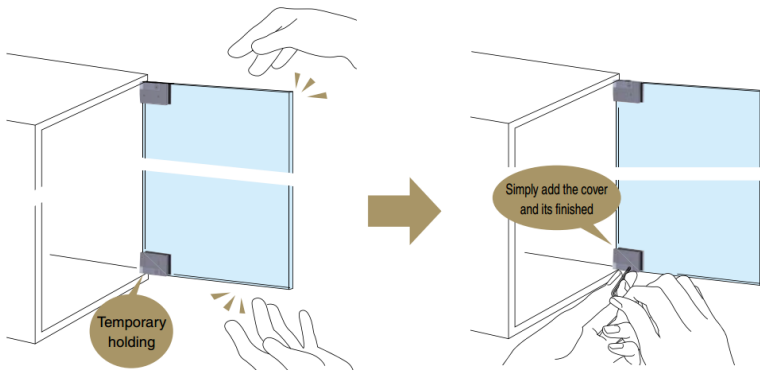


The unified flat design adds a sophisticated glamour to glass displays.



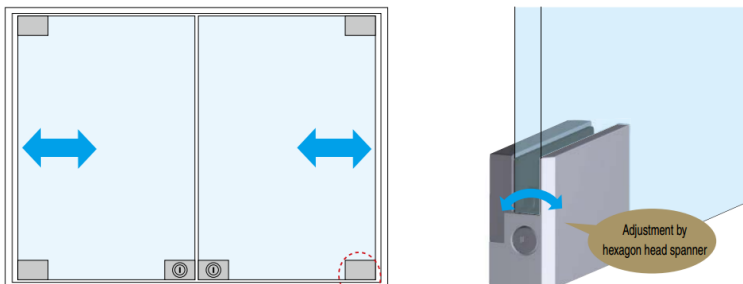
Outstanding Easy Installation

- Temporary holding feature allows the door to be installed easily by one person.



The hinges and brackets can temporarily hold the glass door after they are mounted. This function makes it possible for a single person to install it easily.

- Easy horizontal adjustment after installation



You can adjust the position of the glass door horizontally after installation by simply turning the screw.

Total Lock Function

A single key can be used on multiple locks

The Million Lock Series enables you to operate different cabinets with the same key.
(You need to order keys of the Million Lock Series which have the same number)

